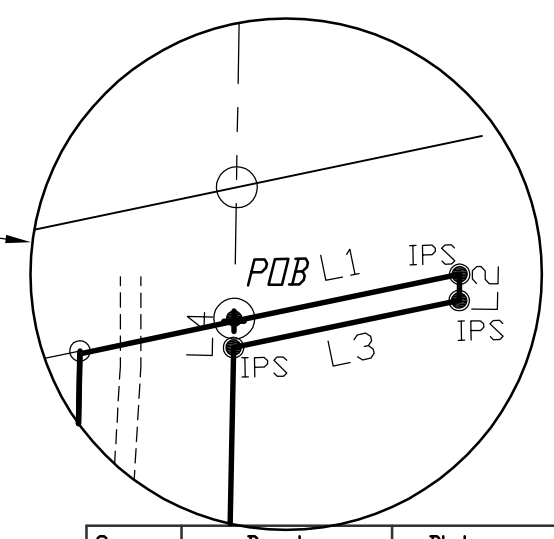


THIS SPACE RESERVED FOR THE CLERK OF SUPERIOR COURT



**\*\*SURVEYOR'S CERTIFICATION\*\***

AS REQUIRED BY SUBSECTION (d) OF O.C.G.A. SECTION 15-6-67 THIS PLAT HAS BEEN PREPARED BY A LAND SURVEYOR AND APPROVED BY ALL APPLICABLE LOCAL JURISDICTIONS FOR RECORDING AS EVIDENCED BY APPROVAL CERTIFICATES, SIGNATURES, STAMPS OR STATEMENTS HEREON.

SUCH APPROVALS OR AFFIRMATIONS SHOULD BE CONFIRMED WITH THE APPROPRIATE GOVERNMENTAL BODIES BY ANY PURCHASER OR USER OF THIS PLAT AS TO INTENDED USE OF ANY PARCEL. FURTHERMORE, THE UNDERSIGNED LAND SURVEYOR FURTHER CERTIFIES THAT THIS PLAT COMPLIES WITH THE MINIMUM TECHNICAL STANDARDS FOR PROPERTY SURVEYS IN GEORGIA AS SET FORTH IN THE RULES AND REGULATIONS OF THE GEORGIA BOARD OF REGISTRATION FOR PROFESSIONAL ENGINEERS AND LAND SURVEYORS AND AS SET FORTH IN O.C.G.A. SECTION 15-6-67.

**GEORGIA REGISTERED LAND SURVEYOR**  
No. 2303  
**PAUL R. ROGERS**

*Paul R. Rogers* 11/05/2025  
PAUL R. ROGERS GA. R.L.S. 2303 DATE

**CLOSURE STATEMENT**

FIELD EQUIPMENT- TOPCON 5 SECOND TOTAL STATION  
INITIAL CONTROL POINTS AND A SUBSTANTIAL PORTION OF THE DATA COLLECTED FOR THIS SURVEY ESTABLISHED USING A ZENITH 60 MULTI FREQUENCY GNSS ROVER USING TOPNET REAL TIME CORRECTIONS.  
POSITIONAL TOLERANCE- .05' HORIZONTAL AT 95% CONFIDENCE RATE  
PLAT CLOSURE 1:600,000

**NOTES**

1. THIS PLAT IS SUBJECT TO ALL EASEMENTS, RIGHTS OF WAY AND LOCAL GOVERNMENT APPROVAL.
2. RIGHTS OF WAY BASED ON MONUMENTS FOUND, PREVIOUS SURVEYS AND THE EXISTING TRAVELED PATHS UNLESS DEEDS ARE REFERENCED.
3. THIS SURVEY PERFORMED WITHOUT BENEFIT OF A TITLE SEARCH. ALL MATTERS OF TITLE ARE EXCEPTED.
4. THIS PLAT HAS BEEN PREPARED FOR THE EXCLUSIVE USE OF AND IS CERTIFIED ONLY TO PERSONS OR ENTITIES NAMED HEREON.

APPROVED

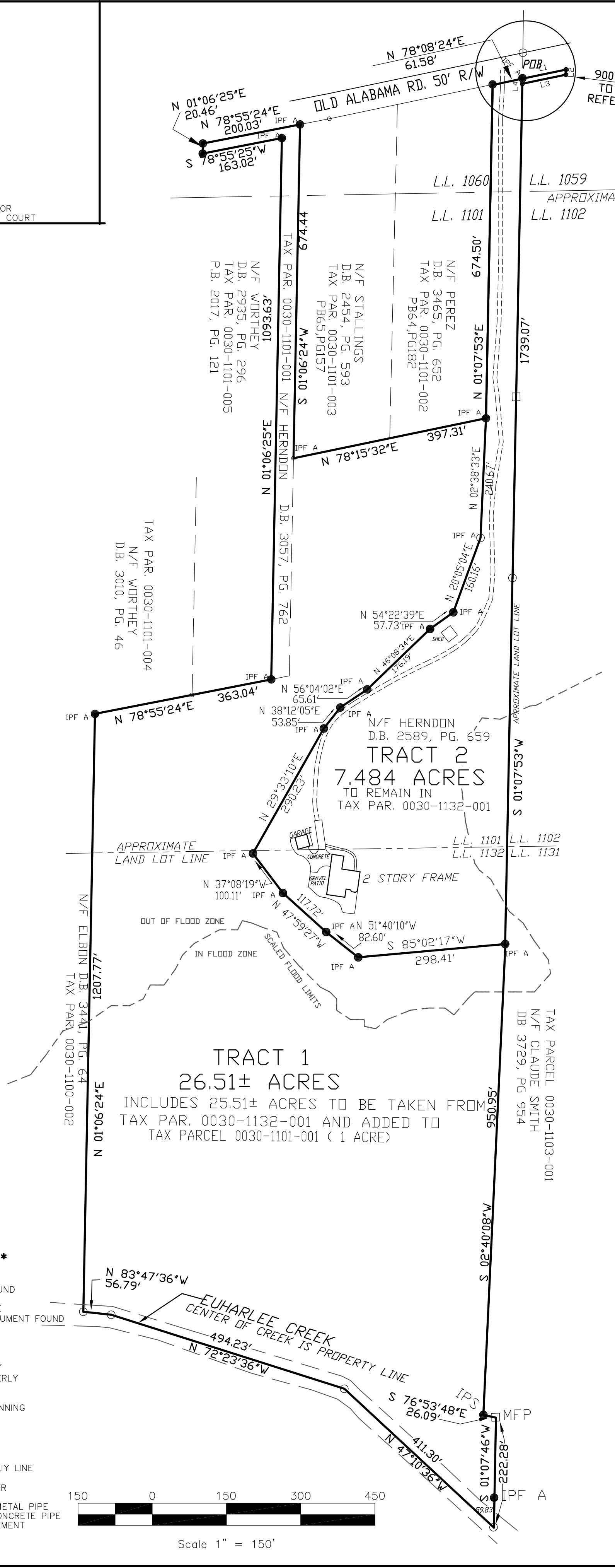
Bartow County Zoning Administrator

*Justin Mullis*  
05/20/26

RECONFIGURATION SURVEY FOR  
**DOUG HERNDON**  
LOCATED IN LAND LOTS 1060, 1101 & 1132  
17th DISTRICT, 3rd SECTION  
BARTOW COUNTY, GEORGIA  
DATE OF FIELDWORK: 11/14/2025  
DATE OF PLAT: 2/04/2026

JOB NO. 25193

**RHODES ENGINEERING SERVICES, INC**  
**CIVIL ENGINEERS AND LAND SURVEYORS**  
645 HENDERSON DRIVE, SUITE 2  
CARTERSVILLE, GA 30120  
PHONE 770-386-7616 LSF- 000608



**\*\*LEGEND\*\***

- IPS IRON PIN SET
- IPF IRON PIN FOUND
- IPF A 1/2" REBAR FOUND
- OT OPEN TOP PIPE
- CT CRIMP TOP PIPE
- CMF CONCRETE MONUMENT FOUND
- FC FENCE CORNER
- X FENCE
- LL LAND LOT
- CL CENTERLINE
- R/W RIGHT-OF-WAY
- N/F NOW OR FORMERLY
- DB DEED BOOK
- PB PLAT BOOK
- POB POINT OF BEGINNING
- Rad RADIUS
- Ch CHORD
- PP POWER POLE
- SP SERVICE POLE
- LP LAMP POLE
- OHUL OVERHEAD UTILITY LINE
- MH MAN HOLE
- SS SANITARY SEWER
- ST STORM SEWER
- CMP CORRUGATED METAL PIPE
- RCP REINFORCED CONCRETE PIPE
- DE DRAINAGE EASEMENT
- FH FIRE HYDRANT
- WV WATER VALVE
- WM WATER METER